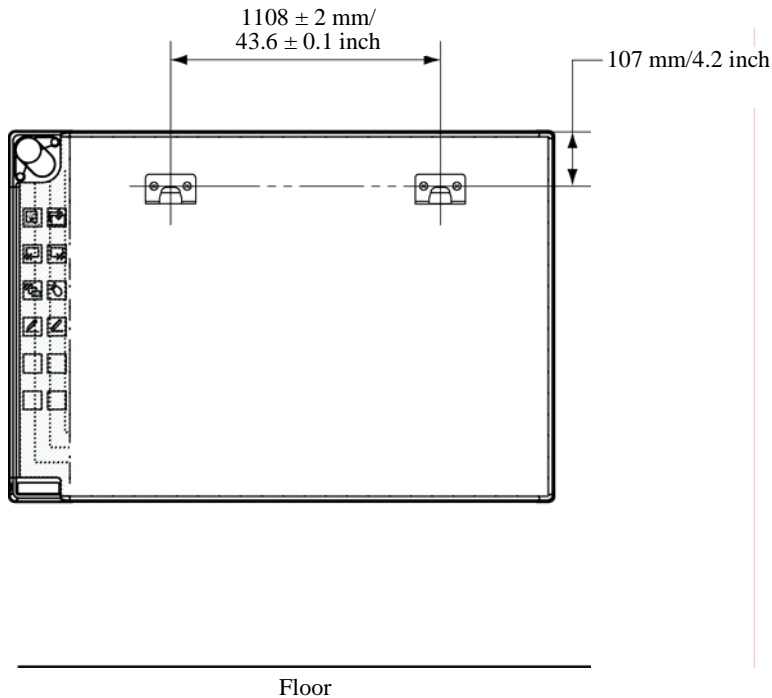


1.3.2 Wall-Mounting Setup Method

(1) Install the mounting brackets.

Determine the height at which the board will be installed, and install the brackets at the positions shown in the following diagram.



CAUTION

Before installation, take the wall material into consideration.

If it is installed by using a method inappropriate for the wall material, the board might fall, etc.

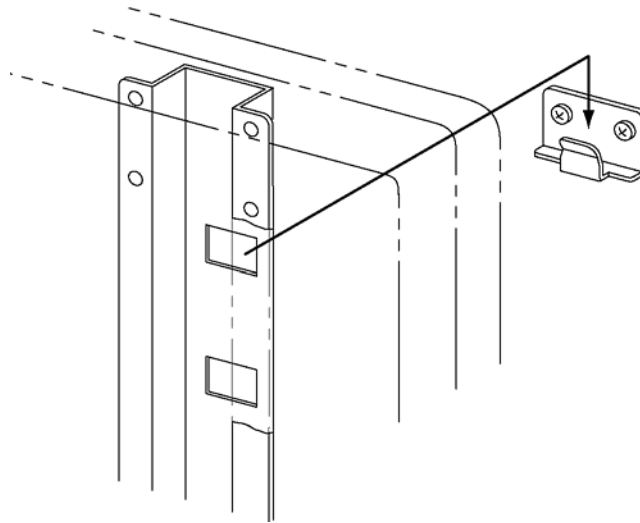
Also, installation might be impossible, depending on the wall selected. For details, consult your dealer.

Before installation, take the wall strength into consideration.

Before using the StarBoard, make sure that it has been fastened securely so that it will not fall. Also verify that the wall mounting bracket is strong enough to support a weight of approximately 88.2lb./40 kg.

(2) Board Installation

Connect each mounting bracket to the top square hole in the board receiving bracket located at the back of the board on both sides.

**CAUTION****This work should be performed by at least two people.**

The board might fall and cause injury or its impact might cause damage.

NOTE

- The equipment might malfunction if set up in an excessively bright location. If the ceiling lights are too bright, it will be necessary to adjust the brightness by turning off the lights, etc.
- Either avoid setting it up in a location exposed to direct sunlight or near a window, or use curtains, etc., to block the sunlight. Otherwise, the equipment might malfunction.
- If multiple systems are set up in the same room or adjacent to each other, they might malfunction. If necessary, contact the technical support in advance.