

# PXDUO-65P Specifications

## Hardware Specifications

### Main Unit

Model No.	PX-DUO-65P
Display Type	Plasma Overlay (Plasma not included)
Digitizing Technology	Infrared Image Sensor System
Coordinate Resolution	Approx. 500 lpi
Tracking Speed	Approx. 100 points/s
Interface to Computer	USB 1.1
Effective Detection Area	65 inches
Power Consumption	5V, 500mA (USB Bus Power)
External Dimensions	61.3"(W) x 41"(H) x 2.6(D)
Digitizer Weight	Approx. 21 lbs.
Operating Requirements	41-95 °F (5-35 °C) 20-80% Humidity
Function Buttons	16 (14 customizable)
Certificates	VCCI-B, FCC-B, CE

### Electronic Pen

Communication System	Infrared
Power Supply	AAA Alkaline
Battery Life	Approx. 80 hrs (continuous use)
Function Buttons	3



### Others

Packing Dimension	65.5(W) x 5.7(H) x 45.8(D)
Packing Weight	Approx. 39.7 lbs.
Supplied Accessories	2 retractable styluses, electronic pen w/ AAA Alkaline battery, Users Guide
Warranty	1 year (Electronic pen / PXDUO-65P)
Required Components: Plasma Display Models (Panasonic)	TH-65PF10, TH-65PF11, TH-65PF12, TH-65PF20, TH-65PF30

## Standard Features

- Control using multi-touch hand gestures
- Use your finger, stylus, or any object to operate
- 16 Function buttons (14 customizable) on each side
- Electronic pen with 3 customizable buttons included
- Interactive presentation without the need for a projector
- Easy hardware installation
- Only send in top sensor for repair
- StarBoard Software Suite included

## System Requirements

### PC Requirements

CPU	Intel Pentium 4 1.8GHz or higher
RAM	1 GB or more is recommended
HDD	600 MB of free space
Display Color Depth	16 bit or more
Software Required	I.E. 6.0 or higher / DirectX 9.0c or higher / MS Office 2002 or higher, Windows Media Player 9.0 or higher, Adobe Reader 6.0 or higher for importing documents
Hardware Required	DVD-ROM
OS	MS Windows XP/Vista/7, latest service pack must be applied (Tablet PC, 64-bit (XP/Vista) and Server Editions are currently not supported)
Other	Video card w/ hardware overlay for video function

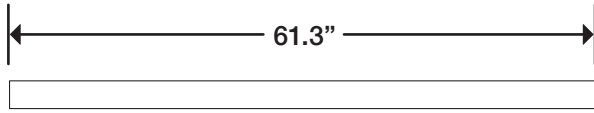
### Mac Requirements

CPU	Intel® processor
RAM	1 GB or more is recommended
HDD	600 MB of free space
Display Color Depth	16 bit or more
Software Required	MS Office 2004 or higher for importing documents / Quick Time 7.1 or higher
Hardware Required	DVD-ROM
OS	Mac OS X 10.4, 10.5, 10.6 latest service pack must be applied
Other	Built-in display or display connected to Apple supplied video card supported by your Mac

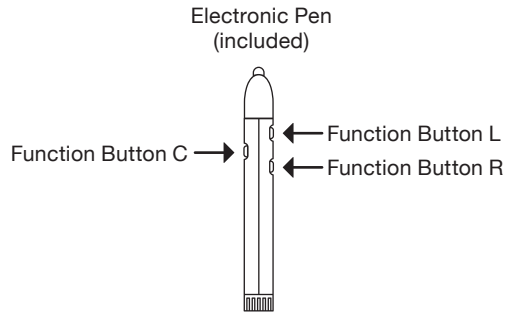
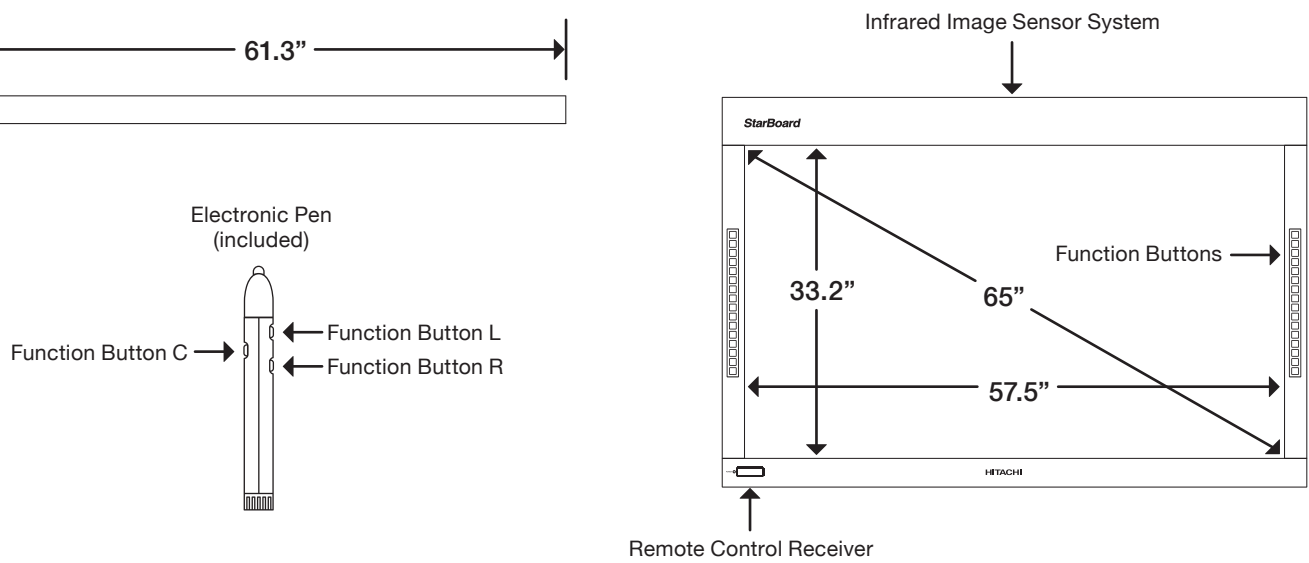
# PXDUO-65P Specifications

## Dimensions

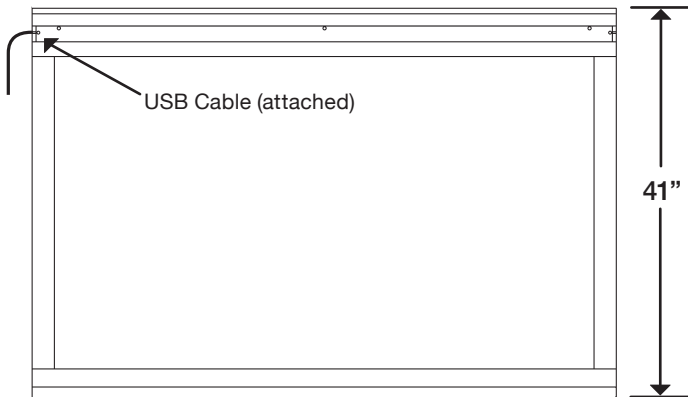
Top View



Front View



Back View



Side View

